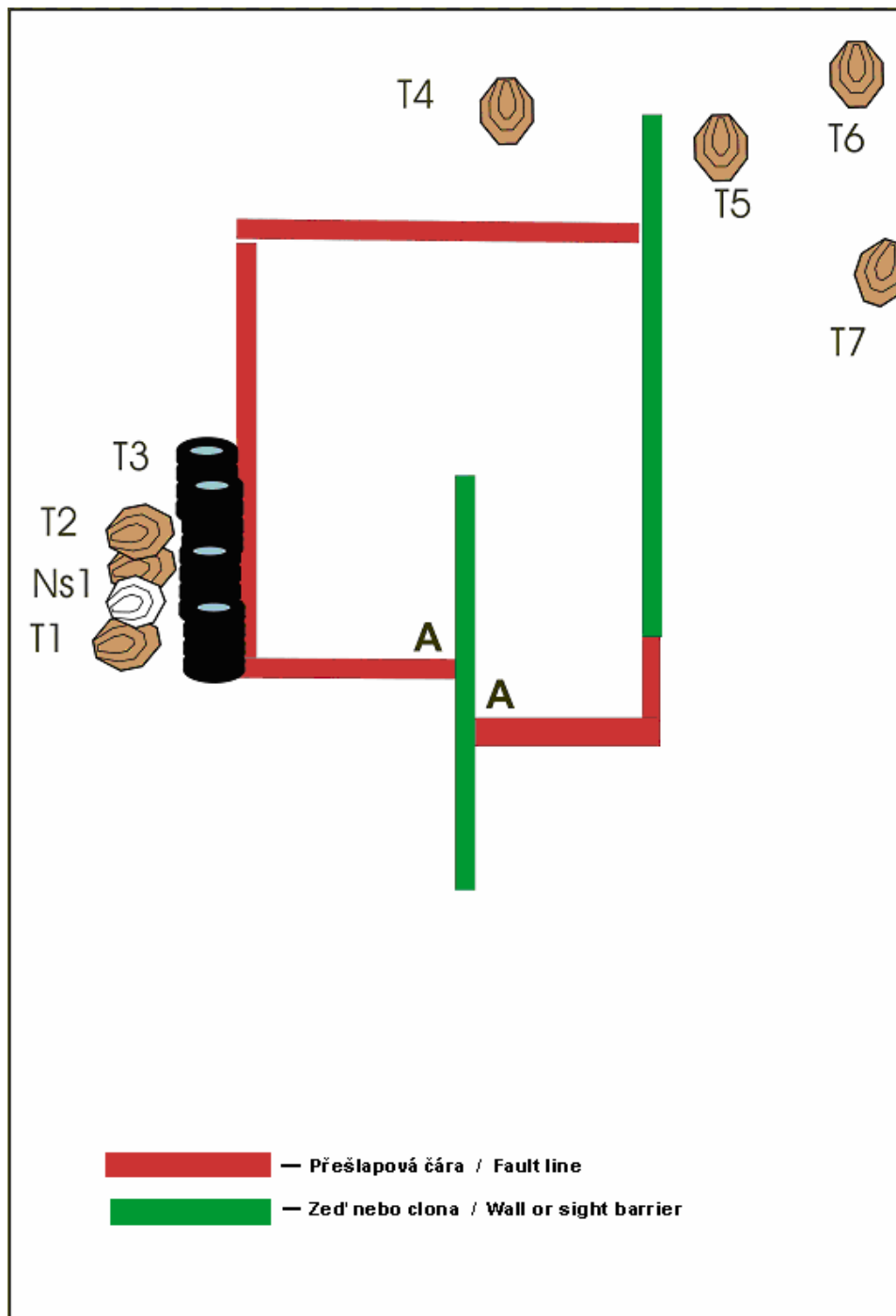


## STAGE 1



### CRO, RO, Help:

**Type of course:**

Medium course

**Scoring Method:**

Comstock

**Targets:**

7x IPSC, 1x NS

**Minimum rounds:**

14

**Maximum points:**

70

**Start / stop:**

Audible signal / last shot fired.

**Starting position:**

The shooter is standing at either of two A points sideways to the wall, hands naturally along his body, one leg is touching the wall.

**Gun condition:**

Loaded and holstered.

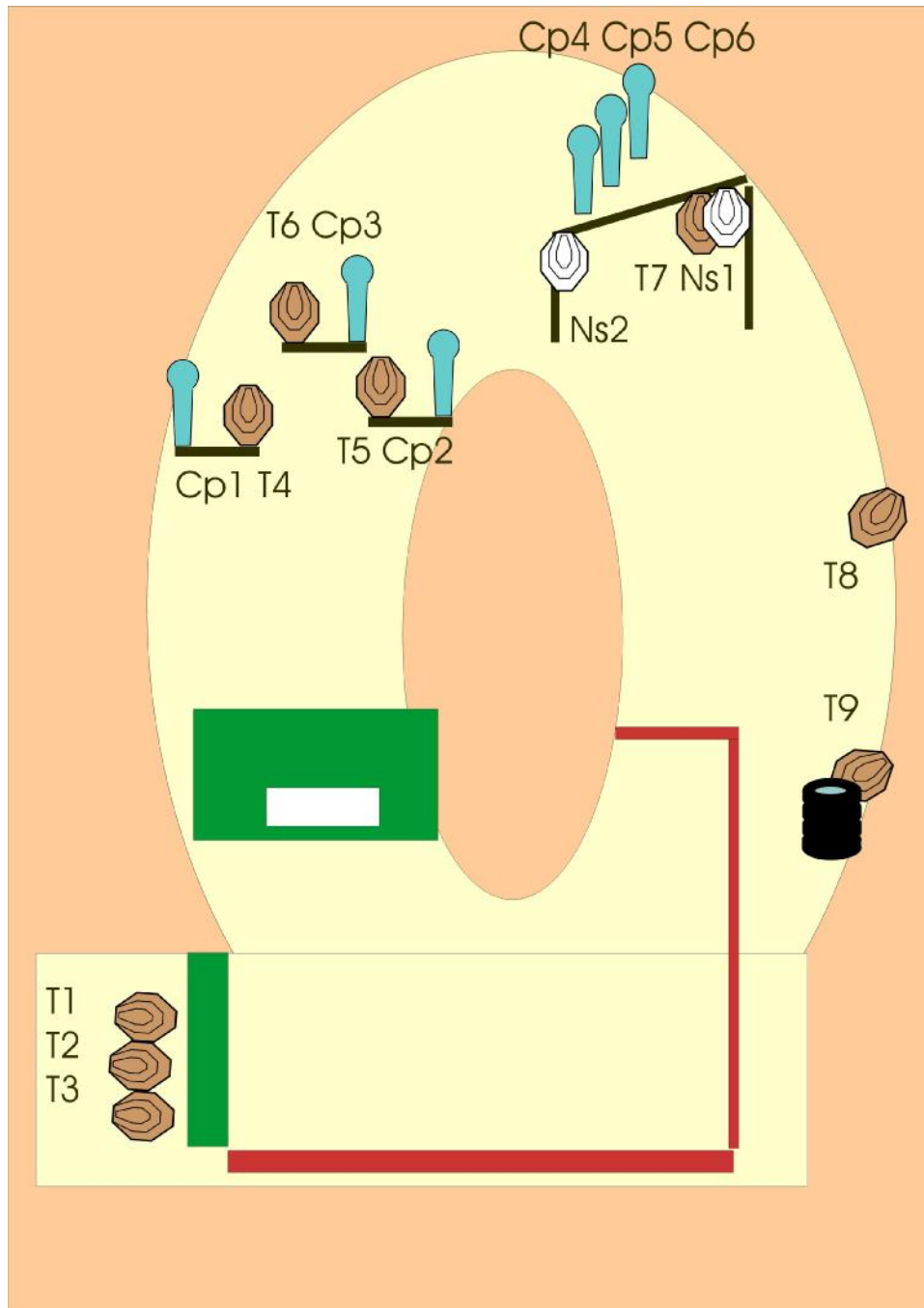
**Procedure:**

After audible signal shoot the targets in any order from the area indicated.

**Safe angles of fire:**

According to IPSC rules, reduced from above by the height of the backstops.

## STAGE 2



### **CRO, RO, Help:**

**Type of course:**

Long course

**Scoring Method:**

Comstock

**Targets:**

9x IPSC, 6x CP, 2x NS

**Minimum rounds:**

24

**Maximum points:**

120

**Start / stop:**

Audible signal / last shot fired.

**Starting position:**

The shooter is standing inside the marked area with hands crossed on his chest.

**Gun condition:**

Loaded and holstered.

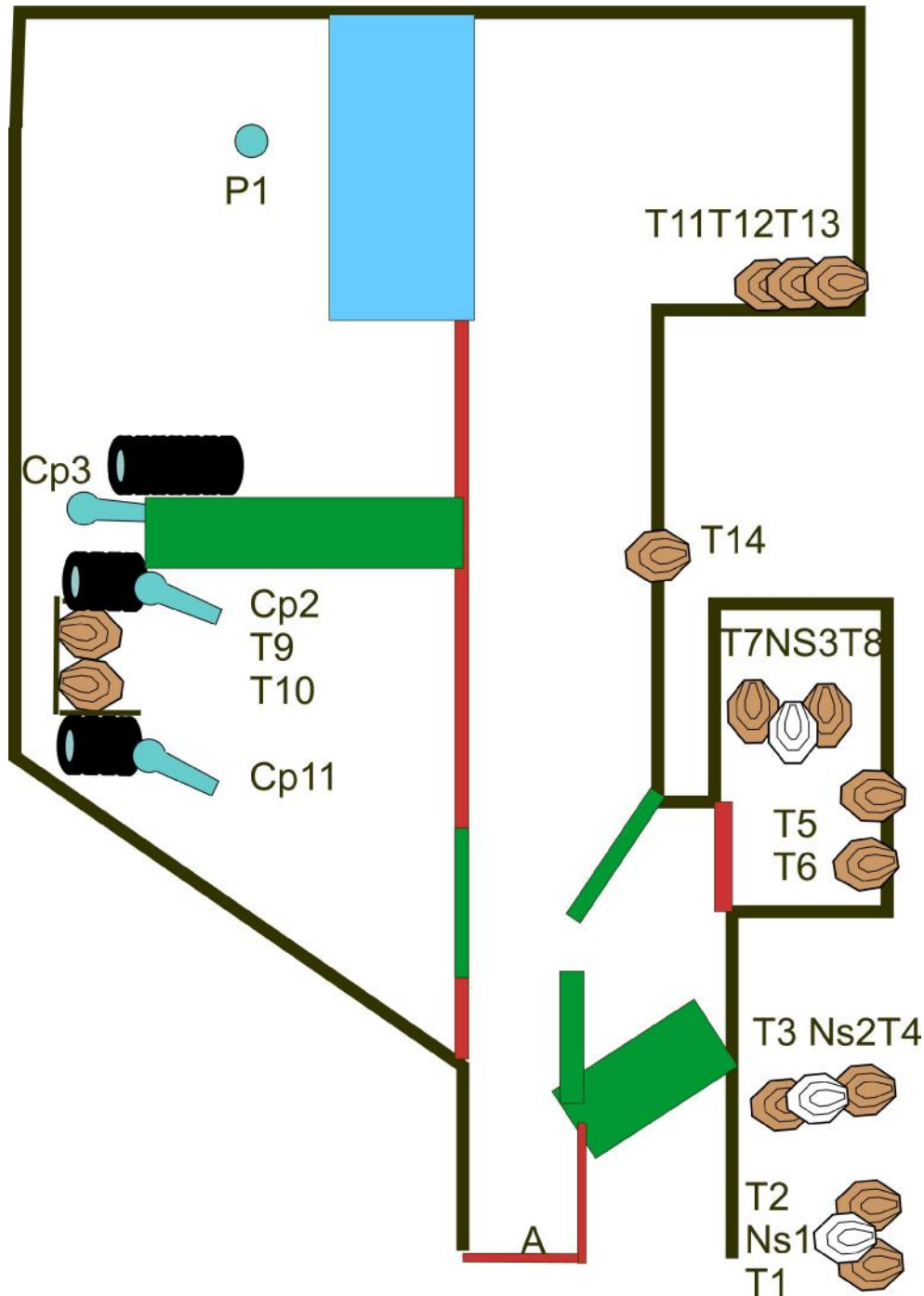
**Procedure:**

After audible signal shoot the targets in any order from the area indicated, CP5 activates the moving target T7, which will remain visible at rest.

**Safe angles of fire:**

According to IPSC rules, reduced from above by the height of the backstops.

## STAGE 3



### CRO, RO, Help:

**Type of course:** Long course

**Scoring Method:** Comstock

**Targets:** 14x IPSC, 3x CP, 1x plate, 3x NS

**Minimum rounds:** 32

**Maximum points:** 160

**Start / stop:** Audible signal / last shot fired.

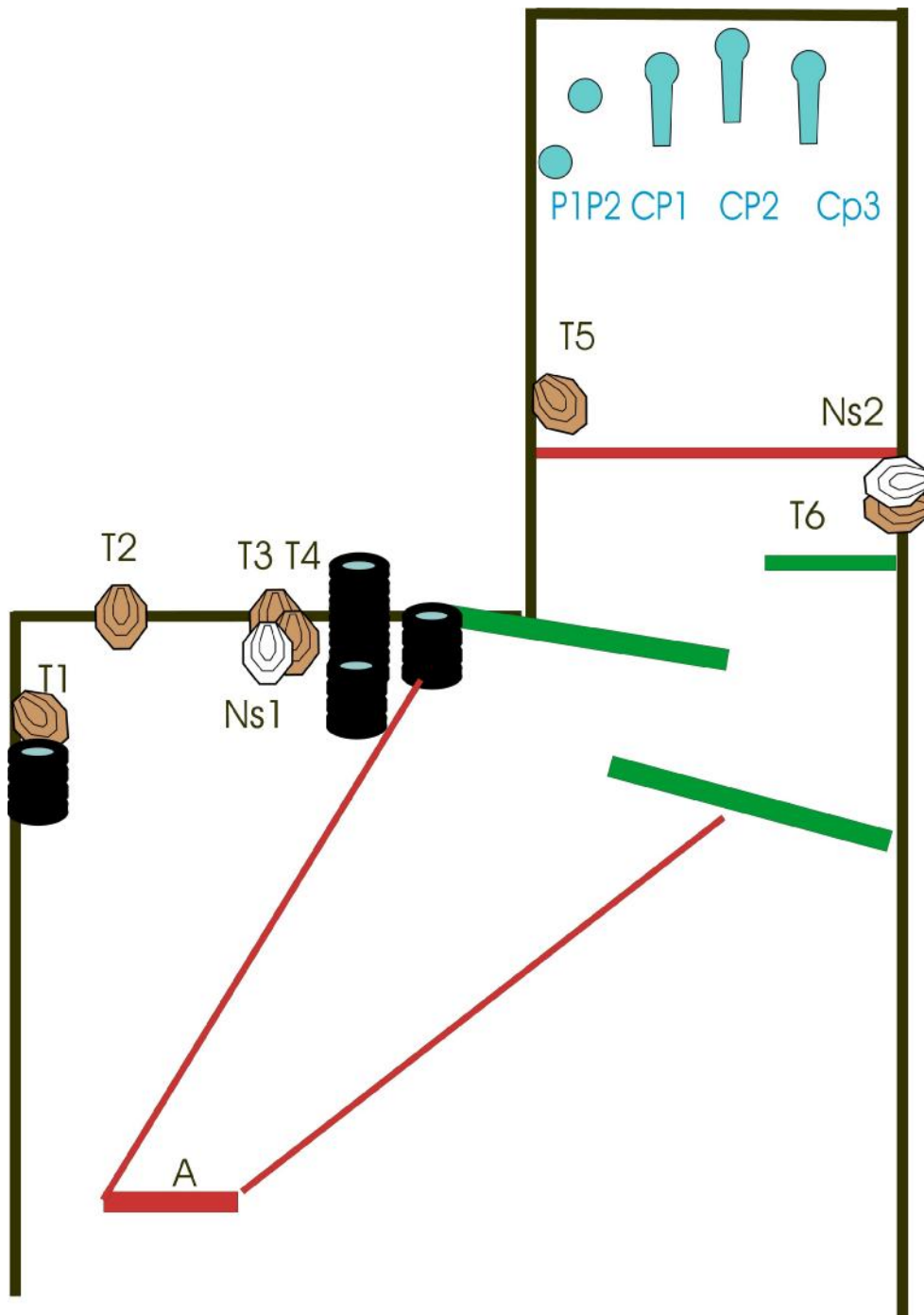
**Starting position:** The shooter is standing at A, hands naturally along his body.

**Gun condition:** Loaded and holstered.

**Procedure:** After audible signal shoot the targets in any order from the area indicated, CP3 activates T9 and T10. They accomplish one movement from horizontal to vertical position where they stop and remain visible.

**Safe angles of fire:** According to IPSC rules, reduced from above by the height of the backstops.

## STAGE 4



### **CRO, RO, Help:**

**Type of course:** Long course

**Scoring Method:** Comstock

**Targets:** 6x IPSC, 3x CP, 2x plate, 2x NS

**Minimum rounds:** 17

**Maximum points:** 85

**Start / stop:** Audible signal / last shot fired.

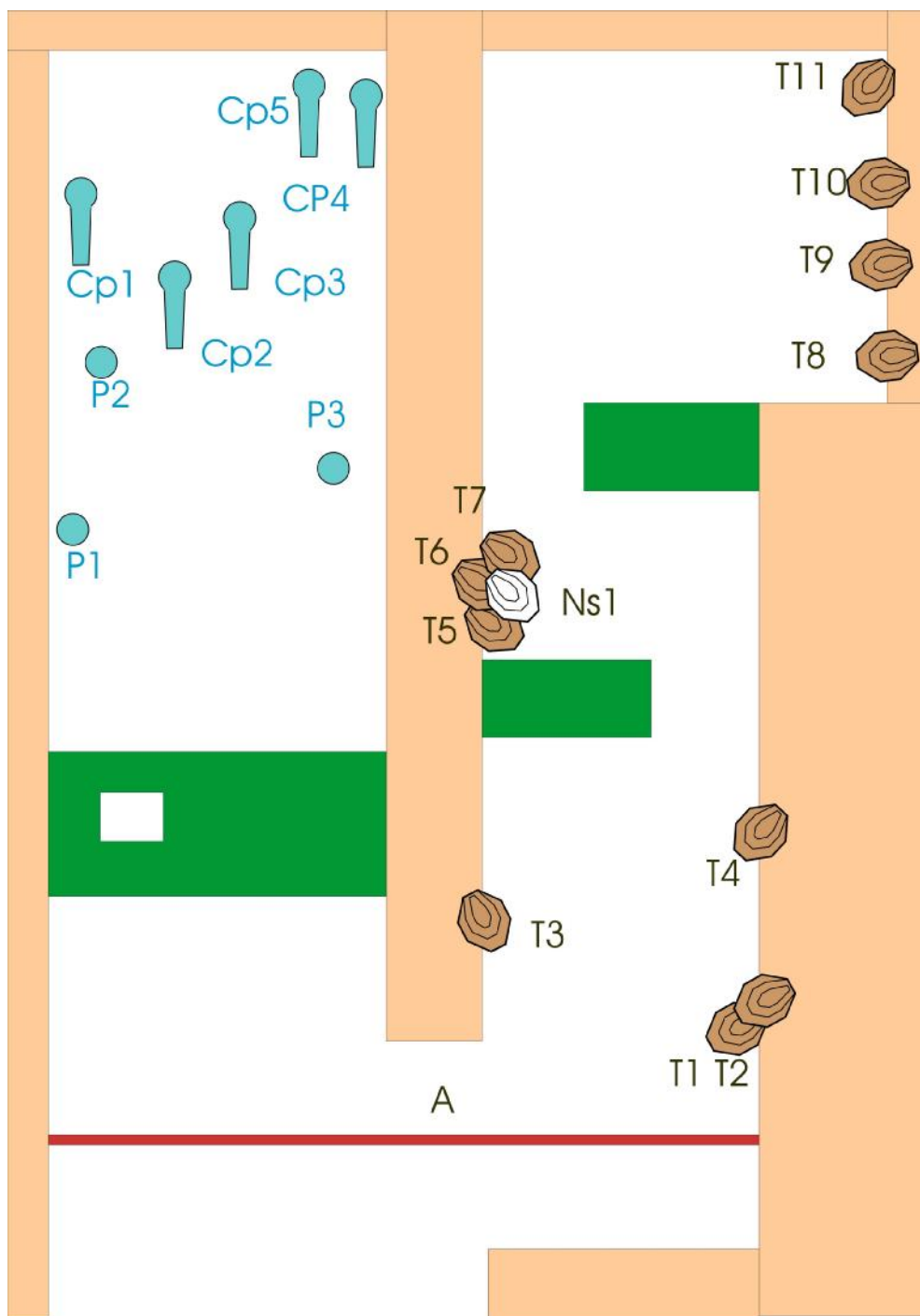
**Starting position:** The shooter is standing at A, hands naturally along his body.

**Gun condition:** Loaded and holstered.

**Procedure:** After audible signal shoot the targets in any order from the area indicated.

**Safe angles of fire:** According to IPSC rules, reduced from above by the height of the backstops.

## STAGE 5



### CRO, RO, Help:

**Type of course:** Long course

**Scoring Method:** Comstock

**Targets:** 11x IPSC, 5x CP, 3x plate, 1x NS

**Minimum rounds:** 30

**Maximum points:** 150

**Start / stop:** Audible signal / last shot fired.

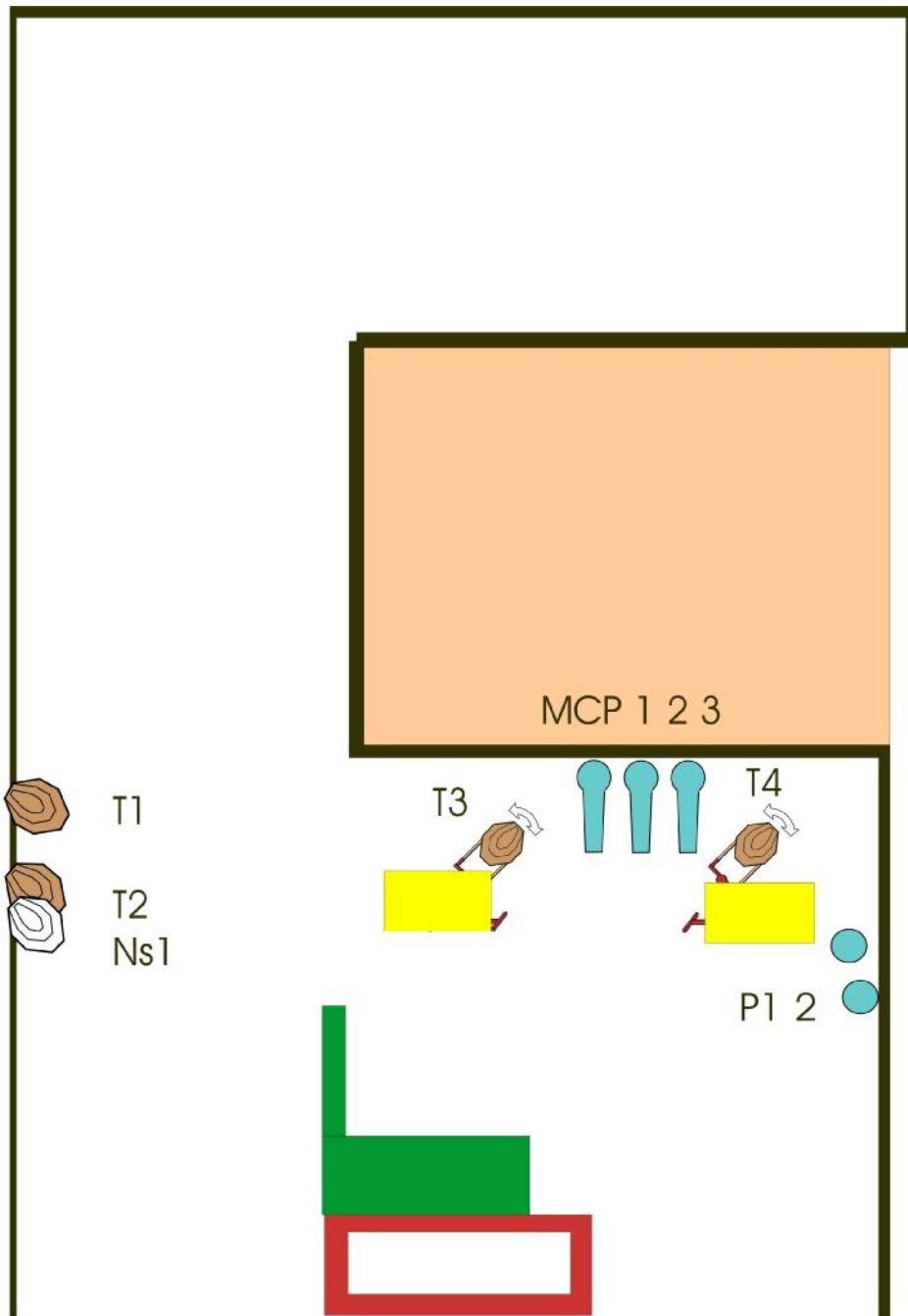
**Starting position:** The shooter is standing at A, hands naturally along his body.

**Gun condition:** Loaded and holstered.

**Procedure:** After audible signal shoot the targets in any order from the area indicated.

**Safe angles of fire:** According to IPSC rules, reduced from above by the height of the backstops.

## STAGE 6



### CRO, RO, Help:

**Type of course:** Medium course

**Scoring Method:** Comstock

**Targets:** 4x IPSC, 3x Mini-CP, 2x plate, 1x NS

**Minimum rounds:** 13

**Maximum points:** 65

**Start / stop:** Audible signal / last shot fired.

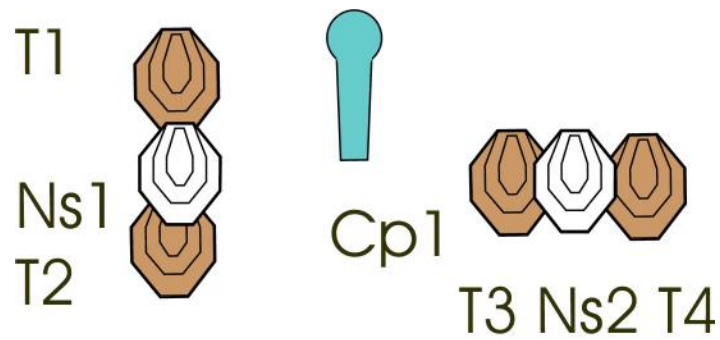
**Starting position:** The shooter is standing inside the marked area, hands naturally along his body.

**Gun condition:** Loaded and holstered.

**Procedure:** After audible signal shoot the targets in any order from the area indicated. Either of the three Mini-CPs activates both bobbers T3 and T4, which will remain visible when at rest.

**Safe angles of fire:** According to IPSC rules, reduced from above by the height of the backstops.

## STAGE 7



### **CRO, RO, Help:**

**Type of course:** Short course

**Scoring Method:** Comstock

**Targets:** 4x IPSC, 1x CP, 2x NS

**Minimum rounds:** 9

**Maximum points:** 45

**Start / stop:** Audible signal / last shot fired.

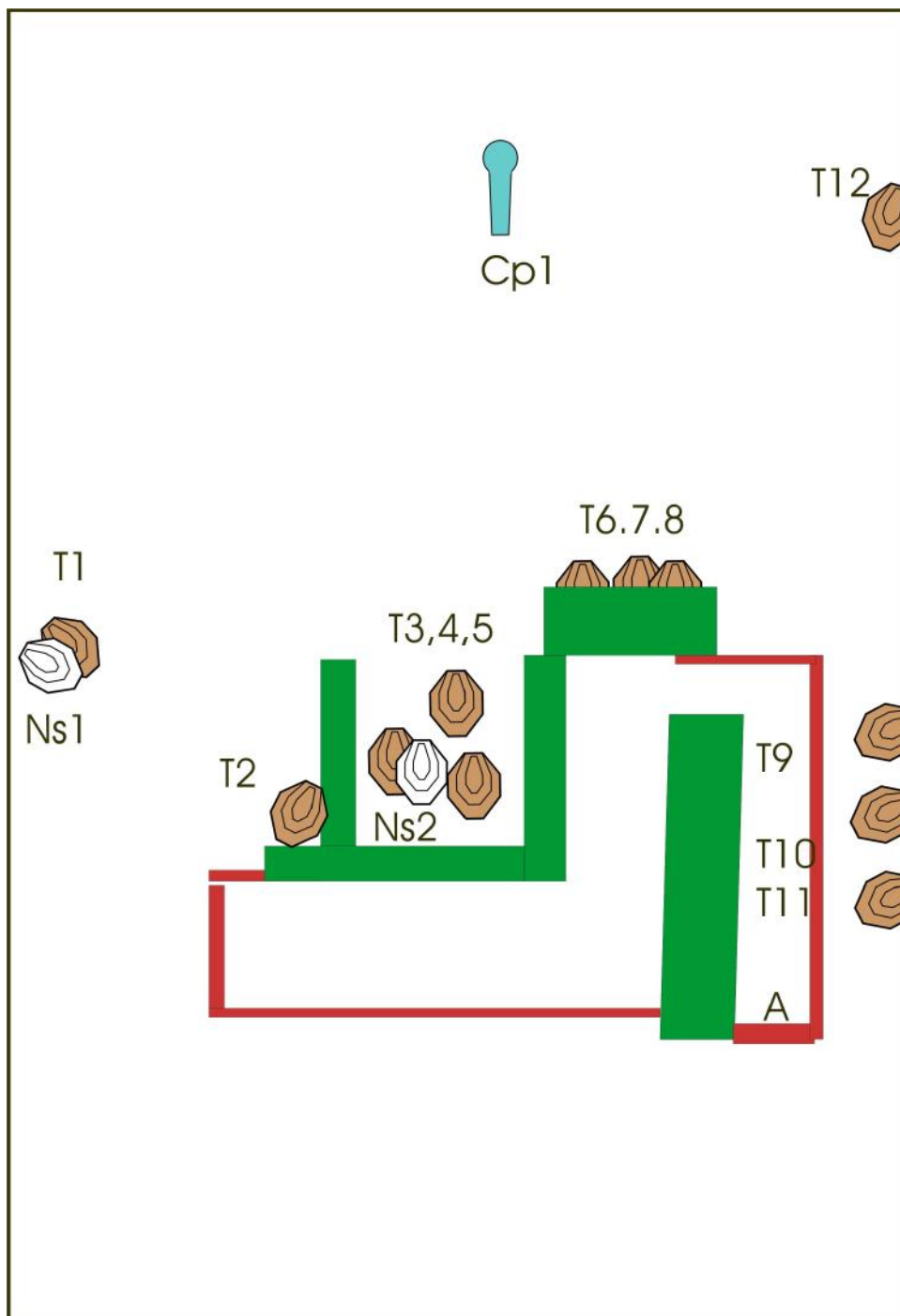
**Starting position:** The shooter is standing inside the marked area, hands naturally along his body.

**Gun condition:** Loaded and holstered.

**Procedure:** After audible signal shoot the targets in any order from the area indicated.

**Safe angles of fire:** According to IPSC rules, reduced from above by the height of the backstops.

## STAGE 8



### CRO, RO, Help:

**Type of course:**

Long course

**Scoring Method:**

Comstock

**Targets:**

12x IPSC, 1x CP, 2x NS

**Minimum rounds:**

25

**Maximum points:**

125

**Start / stop:**

Audible signal / last shot fired.

**Starting position:**

The shooter is standing at A sideways to the wall, hands naturally along his body.

**Gun condition:**

Loaded and holstered.

**Procedure:**

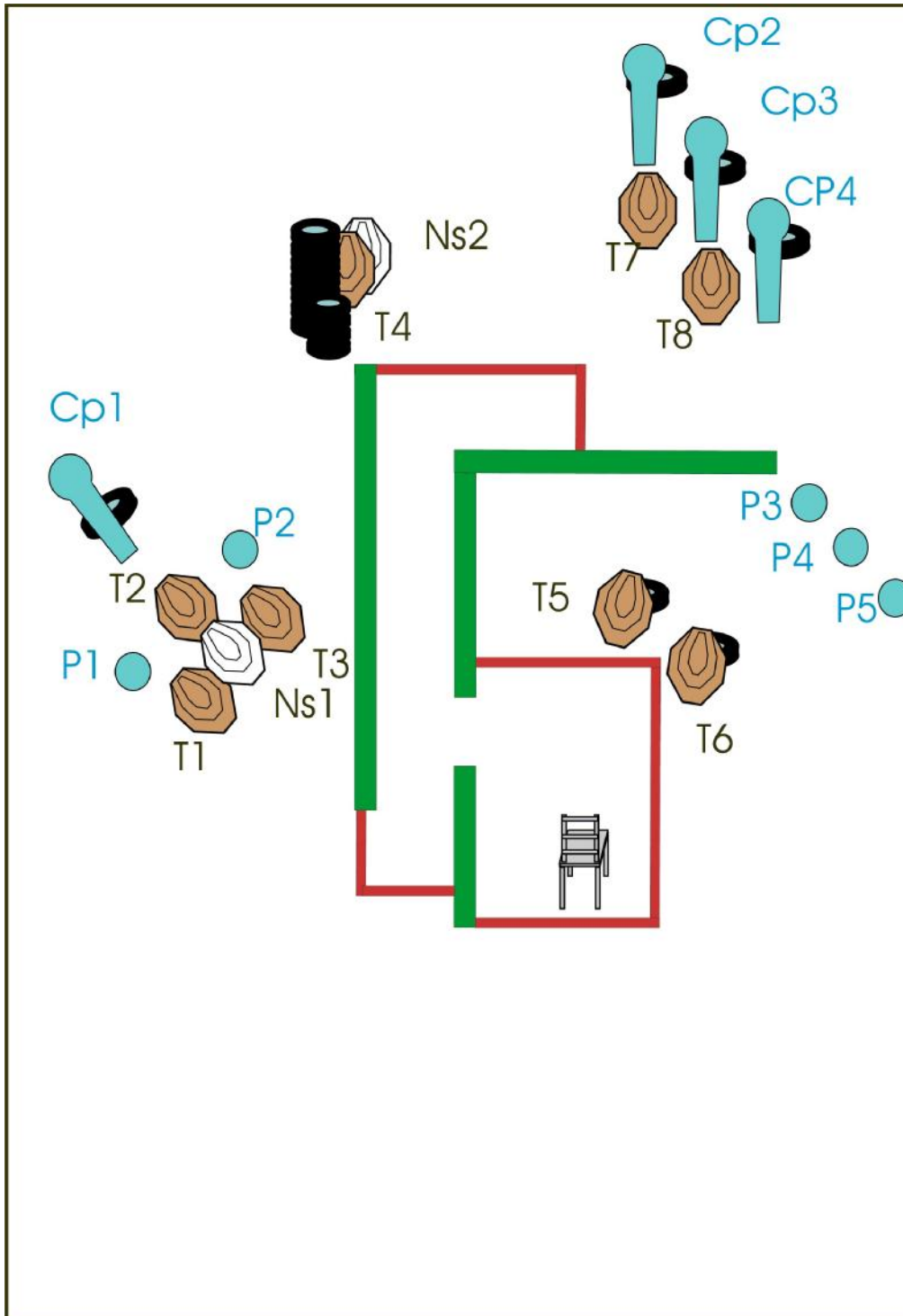
After audible signal shoot the targets in any order from the area indicated.

**Safe angles of fire:**

According to IPSC rules, reduced from above by the height of the backstops.



## STAGE 9



### CRO, RO, Help:

**Type of course:**

Long course

**Scoring Method:**

Comstock

**Targets:**

8x IPSC, 4x CP, 5x plate, 2x NS

**Minimum rounds:**

25

**Maximum points:**

125

**Start / stop:**

Audible signal / last shot fired.

**Starting position:**

The shooter is sitting on the chair with hands touching his ear protection.

**Gun condition:**

Loaded and holstered.

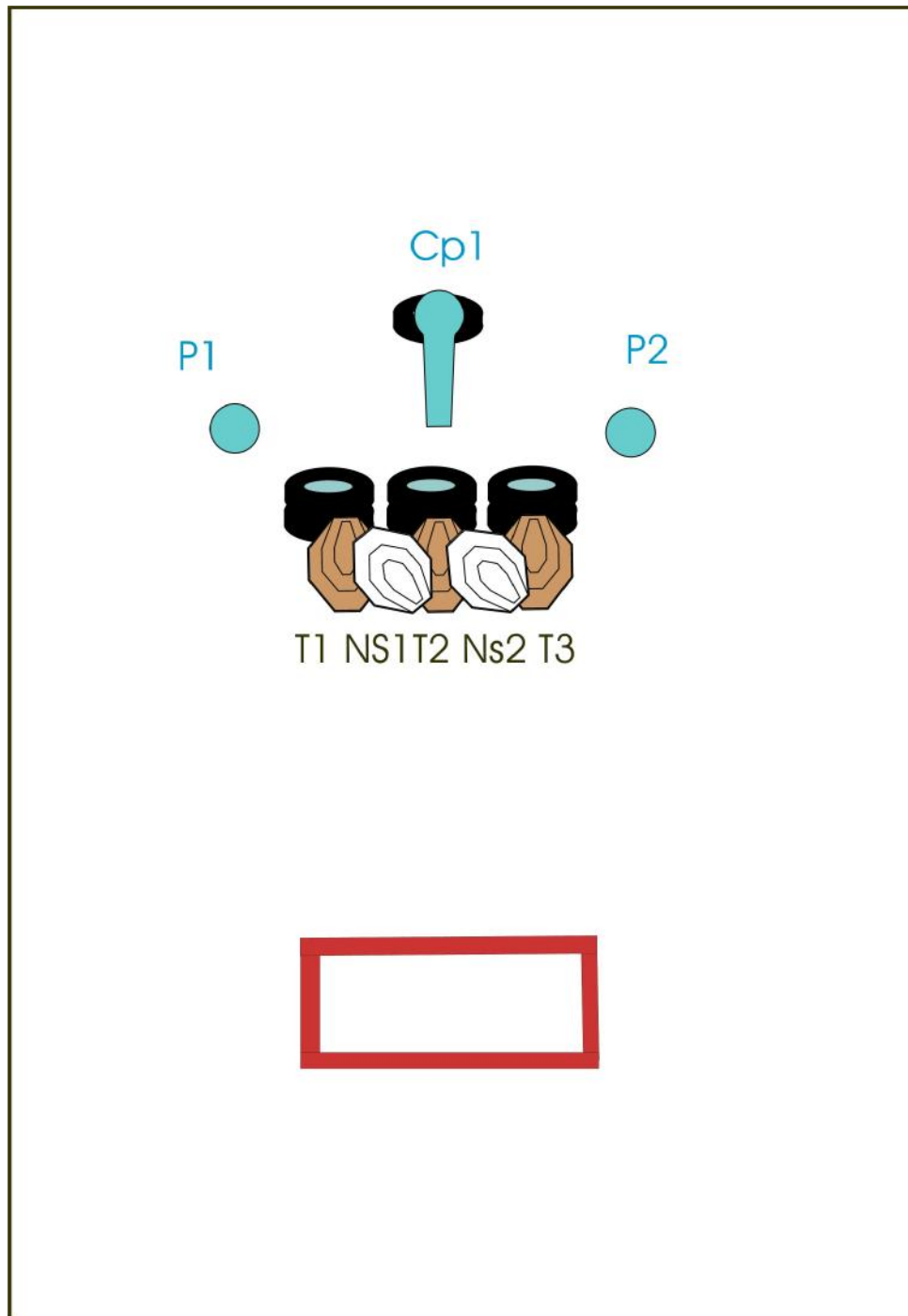
**Procedure:**

After audible signal shoot the targets in any order from the area indicated.

**Safe angles of fire:**

According to IPSC rules, reduced from above by the height of the backstops.

## STAGE 10



### **CRO, RO, Help:**

**Type of course:** Short course

**Scoring Method:** Comstock

**Targets:** 3x IPSC, 1x CP, 2x plate, 2x NS

**Minimum rounds:** 9

**Maximum points:** 45

**Start / stop:** Audible signal / last shot fired.

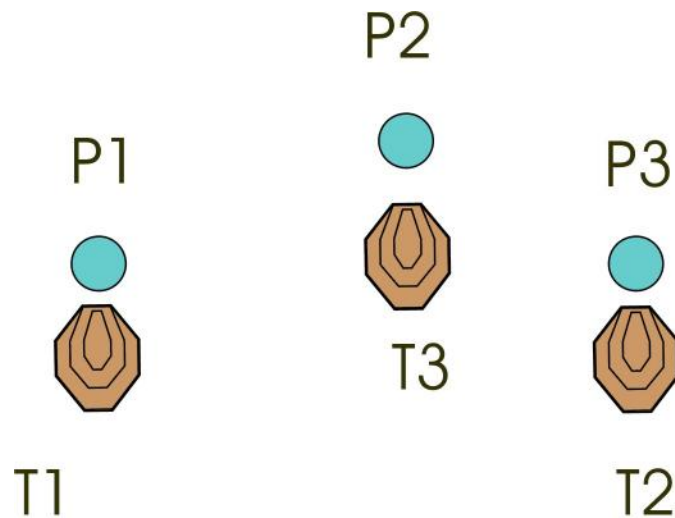
**Starting position:** The shooter is standing inside the marked area, hands naturally along his body, holding the magazine in his STRONG hand (clip for revolvers).

**Gun condition:** Gun is totally empty and holstered.

**Procedure:** After audible signal shoot the targets in any order from the area indicated.

**Safe angles of fire:** According to IPSC rules, reduced from above by the height of the backstops.

## STAGE 11

**CRO, RO, Help:**

**Type of course:** Short course

**Scoring Method:** Comstock

**Targets:** 3x IPSC, 3x plate

**Minimum rounds:** 9

**Maximum points:** 45

**Start / stop:** Audible signal / last shot fired.

**Starting position:** The shooter is kneeling inside the marked area with his hands laying on a hand luggage.

**Gun condition:** Loaded and holstered.

**Procedure:** After audible signal shoot the targets in any order from the area indicated.

**Safe angles of fire:** According to IPSC rules, reduced from above by the height of the backstops.